



universal emergency  
lighting fitting

Materials:

- silver polycarbonate body, other colours in option

Mounting:

- wall or dry-wall under plastering

Specification:

- 220-240V 50-60Hz power supply
- Electronic impulse charger
- Maximum charging time 12h
- Network power supply and battery charge LED indicator
- High-temperature nickel-metal hydride batteries
- LED 2,5 W diodes
- Insulation class II
- Protection level IP 44
- Ambient temperature: 0°C to +40°C
- Recognition distance 30 m
- Electronic protection against complete battery discharge
- Emergency operation time 1, 2 or 3 hours
- Connecting clips 3 x 2,5 mm<sup>2</sup>
- Compatibility with standard specifications  
PN-EN 60598, PN-EN 1838
- Optional PT or RS



Legend:

SE - non maintained (dark)

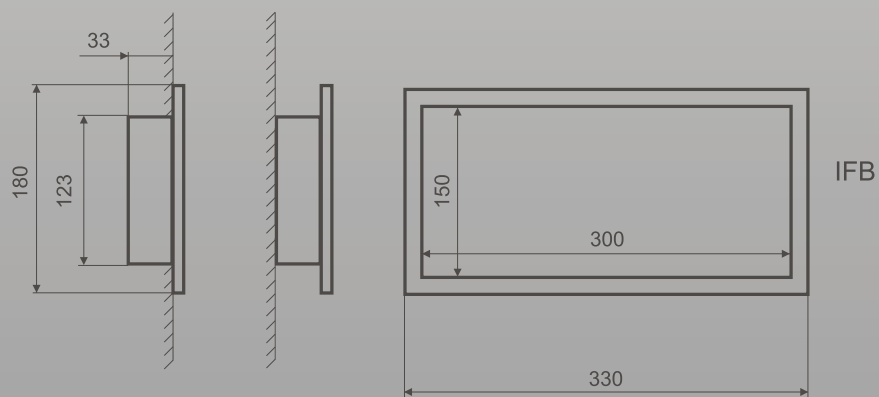
SA - maintained (light)

RS - rubic monitoring system

AT - autotest

CB - for central battery evg AC/DC

IFB - fitting infinity in wall version



#### STANDARD

Configuration of fitting

type	time [h]			work		option	
IFB	1	2	3	SE	SA	PT	RS

#### AUTOTEST

Configuration of fitting

type	time [h]			work		autotest
IFB	1	2	3	SE	SA	AT

#### CENTRAL BATTERY

Configuration of fitting

type	central bat.
IFB	CB

#### LIGHT SOURCE

Characteristic

type	power [W]
LED	2,5